



Architectural Woodwork
Ornamental Metals
Laboratory Casework
& Equipment

*Integrity and innovation.
Right down to the finish.*

Northern California Region
41734 Christy Street
Fremont CA 94538-3114

phone 510-490-1333
fax 510-656-8764

www.isecinc.com

Scope Letter

115733.

October 18, 2007

Bob Vitale
UC Santa Cruz
Jack Baskin School of Engineering, 1156 High St. Mail stop SOE2
Santa Cruz, CA 95064

RE: UC Santa Cruz - Basken Hall - 206, 207 and 208
Santa Cruz, CA

Dear Bob:

We are pleased to quote the following items on the above referenced project
ISEC design shop drawings dated 10/16/2007 based upon E&I contract
UCSC member # 005070, contact #23:

Include

- Hamilton standard floor mounted wood casework similar to recently completed ISEC project in Basking Bldg with DPR based upon standard sizes, configurations and finishes.
- Max Lab core structures with 3 tier metal adjustable shelving at islands.
- 2 tier wall shelves at wall locations.
- Deck mounted fixtures (provide only, installed by others) air, gas, vacuum.
- 1" thick black epoxy resin countertops with 4" backsplash shipped loose to be installed in field.
- 18" tall tack boards at desk areas on islands.
- Electrical plug strips at islands.
- Vertical service pedestals (data and electrical) at islands.
- Max Lab service column at islands.
- 25"X15"X10" deep black epoxy sink drop in sinks with outlets.
- Hot and cold water mixing faucets (provide only, installed by others)
- Di faucet (provide only, installed by others)
- Acrylic splash/pegboard at sink locations at islands.
- Tall cabinets
- Steel Max Lab mobile tables with wood suspended cabinets.
- Fume hood assemblies
 - 5' wide X 30" deep Hamilton Safeaire fume hood with vertical rising sash
 - Black epoxy resin fume hood top with cup sink
 - Ceiling enclosure.
 - Piped for vacuum, air, gas and cold water
 - Height adjustable table
 - 34" wide mobile flammable cabinet
 - 18" mobile storage cabinet

- Prewired for light, light switch, electrical receptacle on each side post to junction box at top of hood
- Prewired fume hood alarm
- Freight.
- Installation.
- Applicable taxes.
- **1 ½" high painted metal seismic lips for shelves (non standard – may arrive after casework installation)**

Exclude

- Backing and/or blocking in walls.
- Vinyl base molding.
- Caulking and sealing of any casework, fume hoods, and/or equipment items to adjacent equipment and/or wall surfaces.
- Removal, relocation, reinstallation and refinishing of any existing laboratory casework or fume hoods.
- Building permits.

Fume Hoods:

- Setting in place of sinks.
- Mechanical connections, duct transitions and ductwork from rectangular fume hood collar to ceiling, from ceiling to blowers, from blowers to exterior.
- Blower, blower support and vibration isolators.
- Plumbing connections, piping from rough-in point to premounted service fixture union.
- Waste and traps from rough-in to sink.
- Electrical connections, wiring, electrical conduit from rough-in point to premounted electrical receptacle, light and light switch.
- Material, installation and connection of solvent storage base cabinet vent assemblies and vent piping from base cabinet to point of termination inside fume hood and/or exhaust duct above fume hood exhaust collar.

Casework:

- Setting in place of sinks and service fixtures.
- Any service fixtures mounted on walls and/or not common to casework.
- Mechanical, electrical and ventilating connections from rough-in point to final discharge point, waste lines and traps from rough-in to sink, piping from fixture nipple to rough-in, electrical conduit and wiring from outlet box to rough-in.

Note: All product on these drawings are standard items (6 – 8 week manufacturing lead time) except seismic lips. Some of the product on the original Baskin Bldg. project that ISEC recently completed with DPR is non standard product (manufacturing lead time is 12 – 14 weeks). Due to the time constraints of this project I changed everything to standard however kept it as close to existing product as possible.

TOTAL PRICE: Delivered, Installed, Including Tax, Excl. Bond: \$131,329.00

Pricing is based on delivery prior to 12/31/2008.

GENERAL NOTES:

Field dimensions must be guaranteed by the Owner due to the interior building finish not being complete in time for ISEC's Project Manager to take the field dimensions and still have adequate time to prepare shop drawings. It will be the Owner's responsibility to coordinate and communicate the accuracy of these dimensions to the General Contractor or other trades. ISEC will provide up to six sets of shop drawings to be distributed as directed by the Owner.

Fisher Hamilton L.L.C. recommends that solvent storage base cabinets not be vented into the fume hood; solvent vent should be plumbed into the exhaust duct a minimum of 12" above fume hood exhaust collar.

Unless otherwise noted, all pricing reflects Fisher Hamilton L.L.C. standard construction and standard paint or stain finish.

This quotation reflects pricing based on a ground floor installation.

Hoisting and/or elevator with operator to be provided by General Contractor or Owner at no charge during normal working hours.

Owner shall be responsible for maintaining openings into buildings, corridors, and rooms large enough to accommodate movement of casework and equipment in addition to providing adequate access for the delivery and installation of the casework.

Owner understands that the floor where the laboratory casework will be installed must be level to within standard construction Class C tolerance, which is 1/2" total accumulation within 10 lineal feet. If the floor does not meet this tolerance, additional costs for leveling and/or oversize vinyl base mold may be incurred and added to cost of the project.

Shortage and breakage of materials and/or equipment furnished F.O.B. Jobsite must be reported within four (4) days after receipt.

TERMS AND CONDITIONS

Our corporate name is ISEC, Incorporated, all contracts must be written as such.

All prices are subject to acceptance within 30 days following date of quotation.

All conditions of this quotation shall become part of any order or contract issued to Seller.

If there is any conflict between the terms of the purchase order and/or subcontract and these conditions, the latter shall be controlling.

If Buyer shall, for any reason, notify or request Seller to cancel or discontinue further progress in connection with any order made pursuant to this quotation, such request shall be deemed a breach of contract by Buyer, and Buyer shall be liable to Seller for all damages, costs and expenses incurred by Seller in consequence thereof.

Clean-up to be limited to removing of all debris, dirt and rubbish accumulated as a result of installation, leaving premises broom clean and orderly. ISEC will not be required to wash all work surfaces. All rubbish containers, i.e., dumpsters, etc., to be provided by others. ISEC will not be required to furnish personnel to participate in the formulation of composite clean-up crews.

Seller should be advised of any changes in the delivery requirements noted on the face of this quotation at least thirty (30) days in advance.

Scheduled delivery is subject to strikes, accidents, material shortages and/or other causes beyond our control, and to rules and regulations of any governmental department or agency.

We are not responsible for, and have no obligation to make freight claims covering goods damaged or lost in transit by a common carrier for materials that are purchased, not installed. Claims for damage or lost goods

should be made by consignee against the carrier involved, keeping us informed so that we may cooperate in the prosecution of the claim.

ISEC is to be given timely notice (no less than 48 hours) and reasonable time to respond to deficiencies prior to issuing **any back charges**.

ISEC will not be responsible for any required backing, blocking behind the surfaces of the wall providing ISEC has prepared and submitted adequate submittals providing type and location of applicable backing and blocking.

All orders tendered to Seller are subject to credit approval and final acceptance by Seller.

No retainage will be withheld from ISEC.

No payment will be withheld from ISEC if the reason for the failure of the owner to make progress or final payment is due to causes for which ISEC is not responsible.

ISEC shall not be liable for any liquidated damages.

Terms: Net 15 days.

Sincerely,

ISEC, INCORPORATED



Deborah Silva
(510) 490-1333 619
Northern California Region

rdj
333609



UC Santa Cruz
 Jack Baskin Building
 Santa Cruz, Ca. 95064

Project Phase Number
Phase 2 & 3

ISEC Project Number
115733

Specification Sections
 --- --- ---

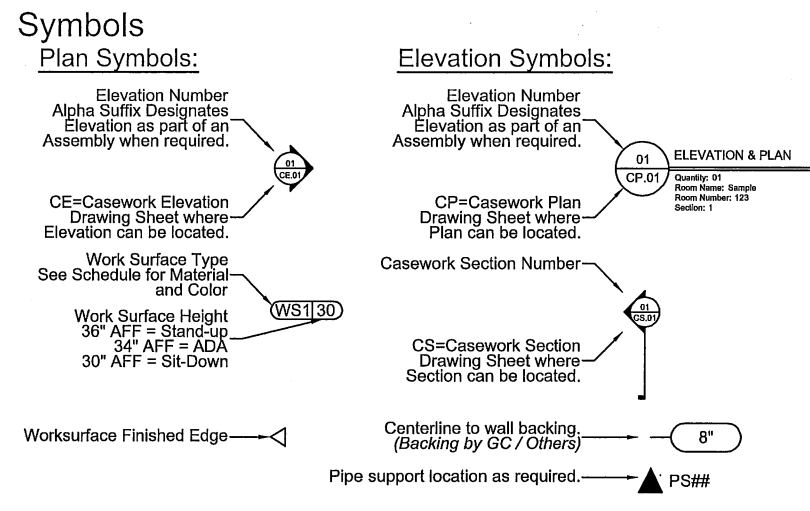
- ISEC General Notes**
- All wall to wall dimensions must be field verified prior to release of tops for fabrication.
 - FV - Indicates dimension to be field verified prior to release of materials for fabrication.
 - * - Indicates minimum dimension required.
 - ± - Indicates area of casework to be reduced or increased based on field verified dimensions.
 - Twelve (12) digit product numbers indicates products are in Fisher Hamilton's nonstandard product line and require a thirteen (13) week minimum manufacturing time.
 - All dimensions shown on plan view are for work surfaces only.
 - Upper storage units &/or shelving are not shown on the rough-in plan for clarity.
 - All dimensions shown on elevations are for casework and related accessory items only.
 - Casework color and work surface color are to be selected prior to release of any materials for fabrication.
 - Service fixture holes to have 1" diameter hole unless otherwise noted.
 - Water fixture holes to have 1-3/8" diameter holes unless otherwise noted.
 - Electrical Pedestal or Monuments to have 1-3/8" diameter holes unless otherwise noted.
 - All other hole sizes will be called out on Work Surface Plans as required.
 - All casework dimensions are listed as: Width x Height x Depth.
 - All Linear Foot material dimensions (i.e. shelving) are listed as: Length x Depth x Thickness.
 - All sink bowl dimensions are listed as: Side to Side x Front to Back x Bowl Depth.
 - Reference the Symbols & Abbreviations Section for additional information.

- Project Specific Notes**
- All tops to be Epoxy Resin unless otherwise noted on drawings.
 - See Product Options Menu for Lock Types - Designated by Cabinet Suffix "L"
 - Key all locks alike, group by room, & provide master key. (MOST TYPICAL)
 - No Locks required for this project. (Note: All Solvent Storage Cabinets Are Lockable)
 - Key all locks different & provide master key.
 - Key all locks alike & provide master key.
 - Key all locks per Lock Schedule, see SCH.01
 - Base molding to be supplied and installed by Others.
 - Plug mold to be supplied by Others and installed by Others.
 - Fixtures, sinks and outlets to be supplied by ISEC and installed by Others.
 - Tailpieces and p-traps to be supplied by Others and installed by Others.
 - Stainless Steel Drop-in sink cutouts to be made 3/4" less in Front to Back & Side to Side than the overall size of sink. Corners of cutout may be square or any radius up to 1/2".
 - Epoxy Resin Drop-In sink cutouts to be made 1-1/8" more than the Side to Side & Front to Back than the I.D. of the sink bowl. Sink cutouts to have 1-1/2" radius at all corners unless noted otherwise.

Project Location Map

Project Vicinity Map

Space Reserved for Approval Stamp



- Abbreviations**
- General:**
- ADA American Disabilities Act
 - ADJ Adjustable
 - AFF Above Finished Floor
 - CO Cut-Out
 - EQM Equipment
 - GA Gauge
 - LH Left Hand
 - OH Opposite Hand
 - QC Quality Control
 - REF Reference
 - RH Right Hand
 - SIM Similar
 - UC Under Counter
 - UNO Unless Noted Otherwise
- Products:**
- FH Fume Hood
 - CAV Constant Air Volume
 - VAV Variable Air Volume
 - KO or KS Knee Space Opening
 - PB Peg Board
 - SK Sink
 - CS Cup Sink
 - WKSF Work Surface
 - PTD Paper Towel Dispenser
 - SD Soap Dispenser
- Materials:**
- ER Epoxy Resin
 - PL Plastic Laminate
 - SS Stainless Steel
 - SP Solid Phenolic
 - WD Wood
 - HDWD Hardwood
 - PLY Plywood
 - PVC Polyvinyl Chloride
- Service Fixtures:**
- CW Cold Water
 - HW Hot Water
 - H/CW Hot & Cold Water Mixing
 - D Distilled Water
 - DW Deionized Water
 - EW Eyewash
 - E or ELEC Electrical
 - A Compressed Air
 - G Natural Gas
 - V Vacuum
 - NIT Nitrogen
 - OXY Oxygen
 - CDA Compressed Dry Air
- Dimensioning:**
- C Centerline
 - CONT Continuous
 - CU Cubic Foot
 - DIA Diameter
 - EQ Equally Spaced
 - FV Field Vary
 - ID Inside Diameter
 - LF Linear Foot
 - MIN Minimum
 - MAX Maximum
 - NTS Not To Scale
 - OC On-Center
 - OD Outside Diameter
 - SF Square Foot
 - CIF Cut In Field
 - CO Cutout
- Drawings:**
- SCH Schedule Sheets
 - CP Casework Floor Plans
 - CE Casework Elevations & Plans
 - CD Casework Details
 - CS Casework Sections
- Equipment:**
- NIC Not In Contract
 - OFOI Owner Furnish Owner Install
 - OFCI Owner Furnish Contractor Install
 - CFOI Contractor Furnish Owner Install
- Model Numbers:**
- 148S6320.2,3 Section (Used for Shipping)
 - Grouping (Not Used)
 - Quantity Override
 - Hamilton Model Number

Drawing Set Date

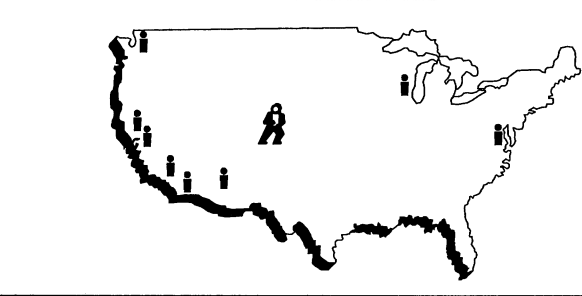
Project Vendors / Memberships

Architect
GL Partners
 San Francisco, Ca.

e-mail: ---
 Phone: ---
 Fax: ---

General Contractor

e-mail: ---
 Phone: ---
 Fax: ---



ISEC Corporate Office
 33 Inverness Drive East
 Englewood, CO 80112
 Phone: (303) 790-1444
 Fax: (303) 790-7104
 www.isecinc.com

Northern California Region
 41734 Christy Street
 Fremont, CA 94538
 Phone: (510) 490-1333
 Fax: (510) 656-8764
 Contact: Debbie Silva

Drawing Set Revisions

No.	Date	By	Description
0	10/05/07	---	DESIGN SET
1	10/16/07	JF	Updated Design Drawings
2	---	---	---
3	---	---	---
4	---	---	---
5	---	---	---
6	---	---	---
7	---	---	---
8	---	---	---
9	---	---	---

Notice
 Documents and drawings remain the property of ISEC, Inc. and are protected by copyright and shall not be reproduced, copied, indirectly described, submitted to or reviewed by other parties without written authorization by ISEC, Inc. Violations will result in prosecution under U.S. Copyright Laws.

Denver • Los Angeles • Milwaukee • Phoenix • San Diego • San Francisco • Sacramento • Seattle • Washington DC

Project Drawing Schedule

Sheet Number	Sheet Title	Rev. #	Revision Date
--	Cover	0	--
Option and Schedule Sheets			
SCH.01	Drawing Schedule	0	--
SCH.02	Sinks - Fixtures - Worksurfaces Schedules	0	--
SCH.03	Product and Color Options - Steel	0	--
Floor Plan Sheets			
CP.01	Floor Plan for Over-All Area	0	--
CP.02	Floor Plan for Area 206 & 207 & 208	0	--
Elevation Sheets			
CE.01	Elevation(s) 01 for Room 206	0	--
CE.02	Elevation(s) 02A & 02B for Room 206	0	--
CE.03	Elevation(s) 02C for Room 206	0	--
CE.04	Elevation(s) 03A & 03B for Room 206	0	--
CE.05	Elevation(s) 03C for Room 206	0	--
CE.06	Elevation(s) 04 for Room 206	0	--
CE.07	Elevation(s) 05 for Room 206	0	--
CE.08	Elevation(s) 06A & 06B for Room 208	0	--
CE.09	Elevation(s) 07 for Room 208	0	--
CE.10	Elevation(s) 08 for Room 207	0	--
Detail Sheets			
CD.01	Details for Acrylic Splash	0	--



Isec Corporate Office
 33 Inverness Drive East
 Englewood, CO 80112
 Phone: (303) 790-1444
 Fax: (303) 790-7104
 www.isecinc.com

Northern California Region
 41734 Christy Street
 Fremont, CA 94538
 Phone: (510) 490-1333
 Fax: (510) 656-8764
 Contact: Debbie Silva

Project Name
UC Santa Cruz
Project Location
Santa Cruz, Ca. 95064

Project Number 115733		Drawing Title Drawing Schedule			
Project Phase Number Phase 2 & 3	Drawn By ----	QC By ----	Last Revised By ----	Drawing Set Date ----	Drawing Number SCH.01



Worksurface and Shelving Schedules

Epoxy Resin Worksurfaces:							
Type	Color	Thickness	Depth	Front Edge	Front Edge Detail	Backsplash	Backsplash Detail
WS01	Black	1"	See Elev.	1/8" Bevel	-	4" High Field Applied Loose Splash, Unless Otherwise Noted	-
Plastic Laminate Worksurfaces:							
Type	Color	Core Material Laminate Backing	Depth	Front Edge	Front Edge Detail	Backsplash	Backsplash Detail
Plastic Laminate Shelves:							
Type	Color	Core Material Laminate Backing	Depth	Front Edge	Front Edge Detail	Back & Side Edges	Back & Side Edge Details

Note: Please contact your ISEC representative to request actual color samples prior to making your final color selections.

Service Fixture Schedule

Water Fixtures:							
Arch. Ref.	ISEC Ref.	Manufacturer	Service	Type	Description	Finish	Model #
-	F01	WaterSaver	ICW/IHW	Deck Mounted	Mixing Faucet w/6" Swing Gooseneck	Forged Brass Body with Chrome Plated Finish	L692-10
-	DI01	WaterSaver	Distilled / Deionized	Deck Mounted	Water Fixture	Forged Brass Body with Chrome Plated Finish	L412-10-55
Service Fixtures:							
-	SF01-AIR	QDP	AIR	Deck Mounted	Service Fixture	Forged Brass Body with Chrome Plated Finish	L2880-131WSA
-	SF01-VAC	QDP	VAC	Deck Mounted	Service Fixture	Forged Brass Body with Chrome Plated Finish	L2880-131WSA
-	SF01-GAS	QDP	GAS	Deck Mounted	Service Fixture	Forged Brass Body with Chrome Plated Finish	L2880-131WSA
-	SF03-AIR	QDP	AIR	Deck Mounted	Service Fixture	Forged Brass Body with Chrome Plated Finish	L2880-132SWSA
-	SF03-VAC	QDP	VAC	Deck Mounted	Service Fixture	Forged Brass Body with Chrome Plated Finish	L2880-132SWSA
-	SF03-GAS	QDP	GAS	Deck Mounted	Service Fixture	Forged Brass Body with Chrome Plated Finish	L2880-132SWSA
Emergency Fixtures:							

Sink Schedule

Sinks:								
Arch. Ref.	ISEC Ref.	Manufacturer	Color / Finish	Type	Sink ID Size	Outlet	Accessories	Model #
-	SK01	LabTops	Black Epoxy	Drop-In	25" x 15" x 10"	Corner	T05	D55
Cupsinks:								
-	CS04	QDP	Black Epoxy	Drop-In	3" x 6" x 4"	Center	-	34L13200

Miscellaneous Equipment Schedule

Arch. Ref.	ISEC Ref.	Manufacturer	Description	Model #
-	AS01	-	Acrylic Splash w/ Peg Board	-

Steel Casework Colors

Color Option Category Name	Color	Color Code
Base Color		
Accent (Steel)		



ISEC Corporate Office
 33 Inverness Drive East
 Englewood, CO 80112
 Phone: (303) 790-1444
 Fax: (303) 790-7104
 www.isecinc.com

Northern California Region
 41734 Christy Street
 Fremont, CA 94538
 Phone: (510) 490-1333
 Fax: (510) 856-8764
 Contact: Debbie Silva

Project Name
UC Santa Cruz
 Project Location
Santa Cruz, Ca. 95064

Project Number 115733	Drawing Title Sinks - Fixtures - Worksurfaces Schedules			
Project Phase Number Phase 2 & 3	Drawn By ----	QC By ----	Last Revised By ----	Drawing Set Date ----
	10/05/07			
				Drawing Number SCH.02

Wood Product Options

Short Menu

← Check for ALL Standard Default selections.

1. Cabinet Front and/or Drawer Style

- Regency flush overlay – **Standard Default**
- Legacy lipped overlay
- Profile radius overlay
- Plastic laminate flush overlay

2. Veneer Type

- Plain-sliced Red Oak – **Standard Default**
- Rift-cut Red Oak
- Plain-sliced select White Maple
- Rotary-sliced select White Maple

3. Grain Direction

- Combination – **Standard Default**
- Vertical-matched (flush overlay Regency only)

4. Cabinet Core (sides and bottom)

- Veneer core plywood – **Standard Default**
- Particleboard core plywood

5. 3mm Edgeband Color for Plastic Laminate Face

- (wood edgeband on wood face)
- Black
 - Gray
 - Chameleon
 - White

6. Cabinet Top Frame

- Front horizontal and rear vertical rails – **Standard Default**
- Full top frame

7. Intermediate Front Rails

- Without – **Standard Default** for Regency flush & Profile radius overlay
- With – **Standard Default** for Legacy lipped overlay

8. Intermediate Rear Rails

- Without – **Standard Default**
- With

9. Security Panels (only on locked cabinets)

- Without – **Standard Default** (21.5" deep base cabinets)
- With security panels including front/rear rails – **Standard Default**

(15" deep base cabinets with locks)

10. Removable Back Panel (base cabinet only)

- One-piece behind cupboard and 36" to 48" wide drawer units. Open behind drawers on less than 36" wide units – **Standard Default**
- Two-piece behind drawers, one-piece behind cupboard

10a. Fixed Backs (tall, wall & upper case only – solid doors only)

- Veneer MDF core plywood – **Standard Default**
- Tempered hardboard

11. Drawer Construction, Drawer Height

- Standard height – **Standard Default**
- Extended height

12. Drawer Construction, Drawer Joinery

- Lockjoint, 5mm white finished MDF, no divider grooves – **Standard Default**
- Lockjoint, 5mm white finished MDF, with divider grooves
- Lockjoint, 5mm temporary bottom, no divider grooves
- Lockjoint, 5mm temporary bottom, with divider grooves
- Multiple dovetail, 5mm white PVC clad MDF, no divider grooves
- Multiple dovetail, 5mm white PVC clad MDF, with divider grooves

13. Drawer Suspension

- All file drawers have 150-pound Overtravel slides as standard
- 3/4 Extension, open roller, 100-pound dynamic self-closing, epoxy-coated – **Standard Default**
 - Overtravel, ball-bearing, 150-pound dynamic, zinc-plated – **Standard Default on all File Drawers** (not available on 15" deep cabinets)*
- *Not available on drawers with heads 4-mod high or less – if this option is selected, drawers with heads 4-mod high or less will be furnished with 100-pound full-extension slide
- Full-extension 100-pound zinc-plated
 - Full-extension 100-pound epoxy-coated
 - Full-extension self-closing zinc-plated
 - Full-extension self-closing epoxy-coated

14. Shelf Material

- Wood – **Standard Default**
 - Steel (color = Cognac)
- Adjustable shelves only; veneer core plywood on fixed shelves

15. Base Cabinet Shelf Depth

- Half depth, 12" shelf – **Standard Default**
- Full depth, 17.75" shelf
- Split depth, two 8.875" shelves

16. Shelf Thickness (wood only – steel is 3/4" thick)

- All shelves, 1" thick – 100-pound rating – **Standard Default**

17. Shelf Clips

- Plated pin & socket – **Standard Default**
- Plastic twin-pin (seismic)

Fisher Hamilton L.L.C. ▪ 1316 18th Street, Two Rivers, WI 54241 USA ▪ Phone: 920.793.1121 ▪ Fax: 920.793.3084 ▪ www.fisherhamilton.com
AL-1323-18 October 2006

Wood Product Options – Page 2

Short Menu

18. Drawer/Door Pull Direction

- Configuration 1 – **Standard Default**
Horizontal on drawers, vertical on doors
 - Configuration 2*
Horizontal on drawers and base unit doors
 - Configuration 3
Full width, horizontal on drawers, vertical on doors
- * Note: Wall, upper and tall cases always have vertical pulls

19. Pull Types

- Available in Configurations 1 and 2 only
- Black wire (powder coat) – **Standard Default**
 - Goldtone wire (powder coat)
 - Stainless steel wire
 - Satin chrome wire
 - Polished chrome wire (plated)
 - Brite chrome wire (chrome powder coat)
 - Dove gray wire
 - Chameleon wire
 - Aluminum wire
 - Brushed aluminum rectangular
 - Semi-recessed polypropylene (Regency flush overlay, Profile radius and laminate flush overlay only)
 - Black
 - Chameleon
 - Gray
 - White
 - Flush aluminum (Regency flush overlay, Profile radius and laminate flush overlay only)

19a. Pull Types

- Available in Configuration 3 only
- Flush full-width aluminum (Regency flush overlay and laminate flush overlay only)
 - Flush full-width solid hardwood integral pull (Regency flush and Profile radius flush overlay only)
 - Flush full-width black PVC (Regency flush overlay only)

20. Door Hinges

- 5-Knuckle
 - Black, steel – **Standard Default**
 - Goldtone, steel
 - Stainless steel
 - Dull chrome, plated
 - Satin chrome (Regency flush overlay only)
 - Dove gray, steel*
 - Chameleon, steel*
 - Brite chrome powder coat*
 - Concealed, self-closing, 155-degree*
 - 3-Barrel Hinge* (no catch required)
- * Note: Regency flush overlay, profile radius and laminate flush overlay

21. Base – Plywood (Base Units Only)

- Integral with end panels – **Standard Default**
- Integral with end panels with levelers
- Separate, factory attached
- Separate, field furnished/fabricated

21a. Toekick (Tall Cases Only)

- Flush – **Standard Default**
- Recessed

22. Lock Types

- Designated by cabinet suffix "L."
- Master 5-Disc – **Standard Default**
Use when up to 225 key changes are required.
 - Master 5-Pin*
 - Grand Master 5-Pin*
*Use when up to 2,000 primary key changes are required (Master and Grand Master).
Note: 5-pin option has an eight-week lead time. (Lock keying is determined by lock schedule.)

23. Catches

- Roller – **Standard Default**
- Magnetic
- None (concealed and 3-barrel hinge)

24. Label Holders

- None – **Standard Default**
 - One per door, one per drawer head
 - Black
 - Goldtone
 - Stainless Steel
- Note: Check "None" when full width and semi-recessed Polypropylene pulls are selected.

25. Glass

- Float glass – 3mm on wall, upper and tall cases; 6mm on wall and upper case solid sliding glass – **Standard Default**
- Safety Glass – laminated 6mm on all units
- Safety glass – tempered 3mm on wall, upper and tall cases; 6mm on wall and upper case solid sliding glass

26. Finish

- Standard SEFA 8 – **Standard Default**
- Standard SEFA 8 with concealed areas finished
- U of WA
- U of WA with concealed areas finished

27. Suspension Hardware

- C-Frame – **Standard Default**
- MAX

Fisher Hamilton L.L.C. ▪ 1316 18th Street, Two Rivers, WI 54241 USA ▪ Phone: 920.793.1121 ▪ Fax: 920.793.3084 ▪ www.fisherhamilton.com
AL-1323-18 October 2006



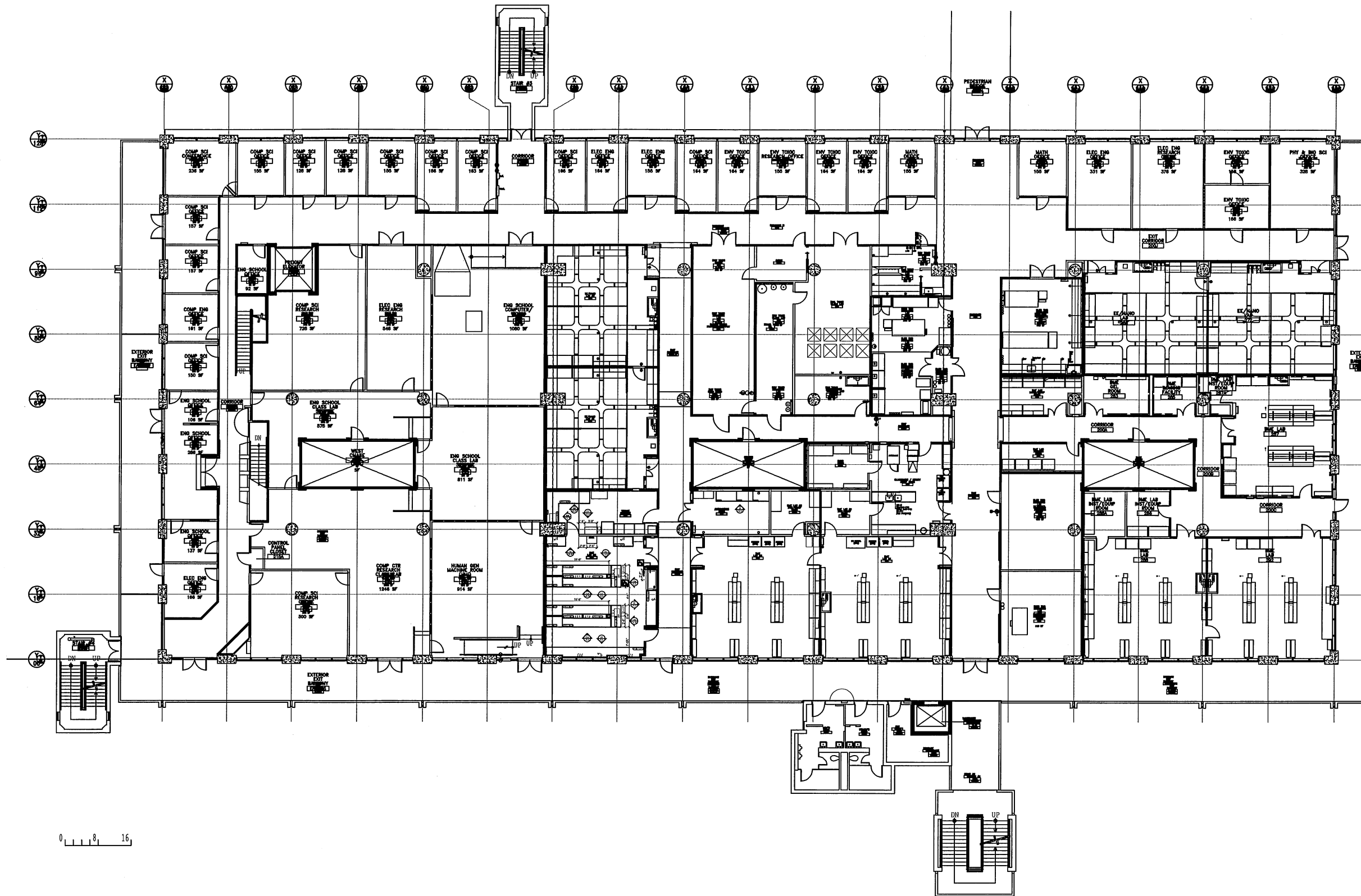
ISEC Corporate Office
33 Inverness Drive East
Englewood, CO 80112
Phone: (303) 790-1444
Fax: (303) 790-7104
www.isecinc.com

Northern California Region
41734 Christy Street
Fremont, CA 94538
Phone: (510) 490-1333
Fax: (510) 656-8764
Contact: Debbie Silva

Project Name
UC Santa Cruz

Project Location
Santa Cruz, Ca. 95064

Project Number 115733		Drawing Title Product And Color Options - Steel			
Project Phase Number Phase 2 & 3	Drawn By 10/05/07	QC By	Last Revised By	Drawing Set Date ----	Drawing Number SCH.03



- ### ISEC Rough-in Notes
1. Indicates free area within each item, rough-ins must be located in this area.
 2. Indicates rough-in location above ceiling line.
 3. Rough-ins for items NOT BY ISEC are not shown on these drawings.
 4. Plumbing, electrical, and HVAC contractors are to coordinate specifications, Architect's mechanical drawings, and ISEC drawings for services required for each item.
 5. Rough-in drawings are advisory in nature, and are to be used as a guide by the Mechanical Contractors to effect rough-ins that will be within such portions of cabinet area to allow for access to shutoffs, traps, service lines and electric junction boxes.
 6. Variations from the rough-ins shown made necessary by beams or other building conditions shall in no way be considered a liability resulting from the preparation and submission of these drawings.
 7. Centerline shown for sinks is to the center of the sink base cabinet.
 8. Centerline shown for cupsinks on plans, is to the centerline of the outlet itself. Take note that the stub out needs to be offset to allow for the p-trap to connect to the tailpiece.

FLOOR PLAN FOR:
1st Floor
Reference Architectural Plan Sheet: AL-200



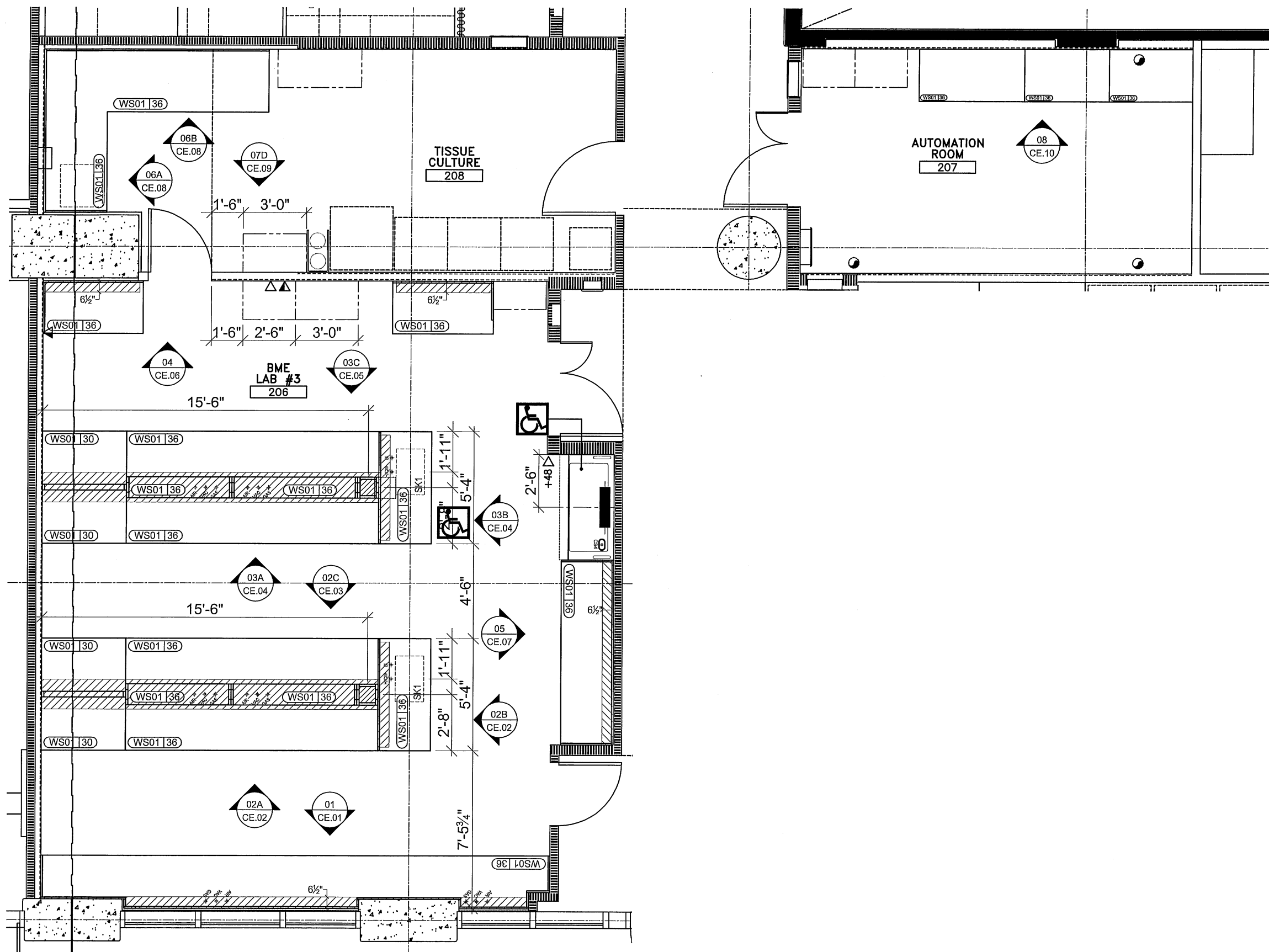
ISEC Corporate Office
33 Inverness Drive East
Englewood, CO 80112
Phone: (303) 790-1444
Fax: (303) 790-7104
www.isecinc.com

Northern California Region
41734 Christy Street
Fremont, CA 94538
Phone: (510) 490-1333
Fax: (510) 656-8764
Contact: Debbie Silva

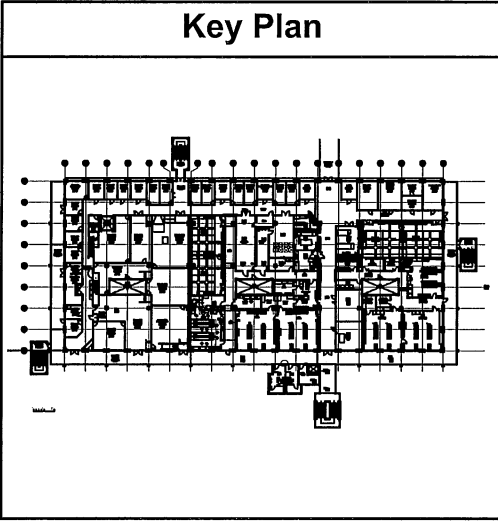
Project Name
UC Santa Cruz

Project Location
Santa Cruz, Ca. 95064

Project Number 115733		Drawing Title Floor Plan For Over-All Area				
Project Phase Number Phase 2 & 3	Drawn By 10/05/07	QC By ---	Last Revised By ---	Drawing Set Date ----	Drawing Number CP.01	



- ### ISEC Rough-in Notes
- ▨ Indicates free area within each item, rough-ins must be located in this area.
 - ▬ Indicates rough-in location above ceiling line.
 - Rough-ins for items NOT BY ISEC are not shown on these drawings.
 - Plumbing, electrical, and HVAC contractors are to coordinate specifications, Architect's mechanical drawings, and ISEC drawings for services required for each item.
 - Rough-in drawings are advisory in nature, and are to be used as a guide by the Mechanical Contractors to effect rough-ins that will be within such portions of cabinet area to allow for access to shutoffs, traps, service lines and electric junction boxes.
 - Variations from the rough-ins shown made necessary by beams or other building conditions shall in no way be considered a liability resulting from the preparation and submission of these drawings.
 - Centerline shown for sinks is to the center of the sink base cabinet.
 - Centerline shown for cupsinks on plans, is to the centerline of the outlet itself. Take note that the stub out needs to be offset to allow for the p-trap to connect to the tailpiece.



N PARTIAL FLOOR PLAN FOR:
1st Floor
Reference Architectural Plan Sheet: _____

Isec Integrity and Innovation. Right down to the finish.

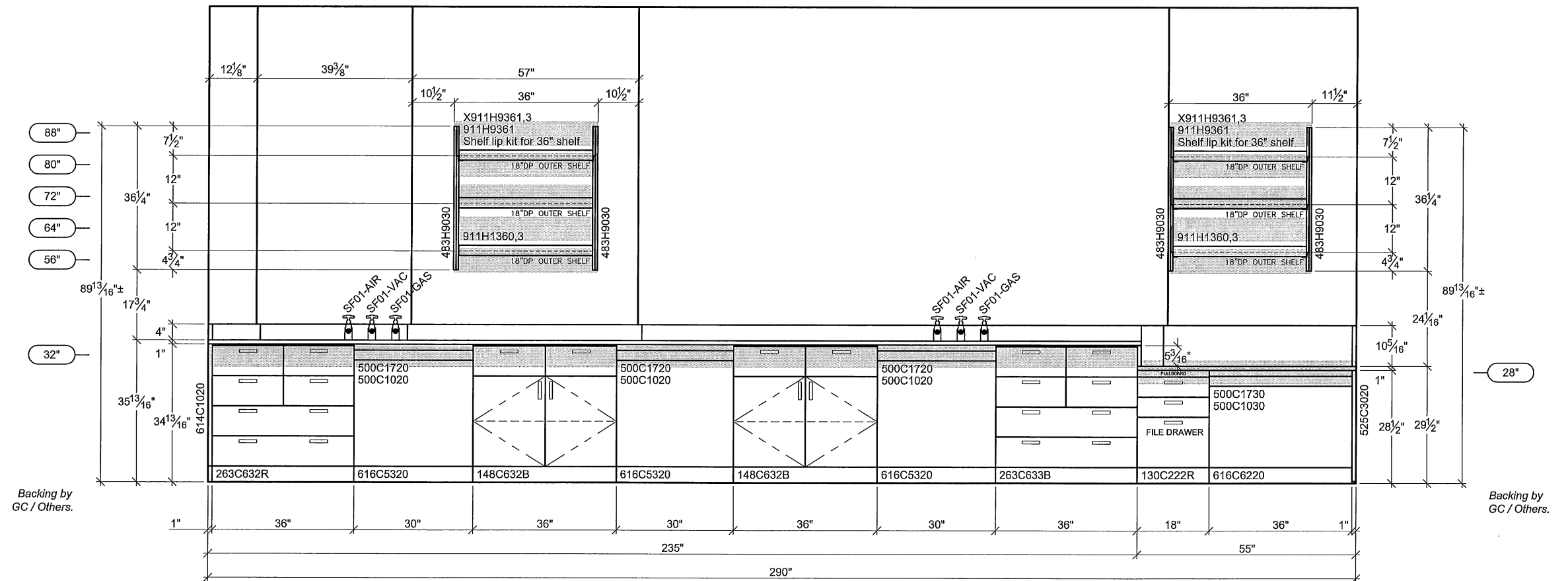
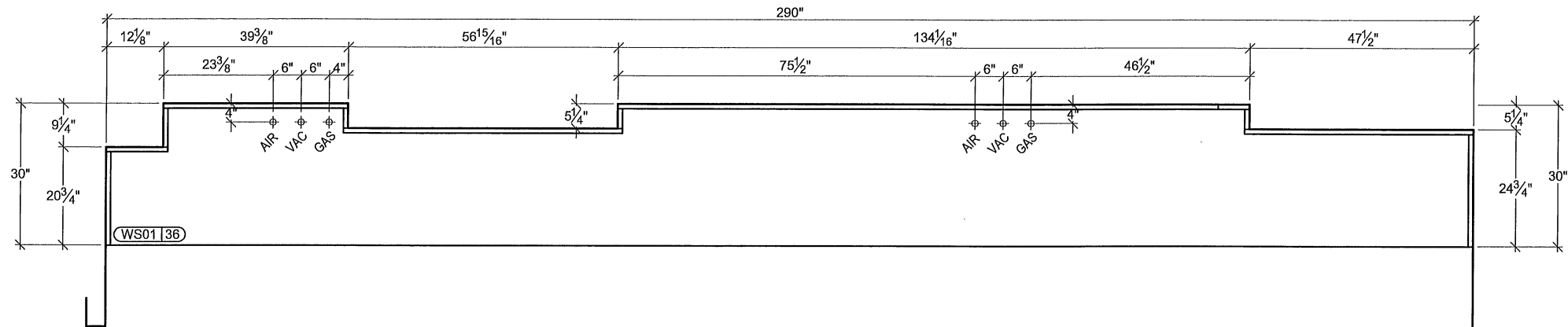
ISEC Corporate Office
33 Inverness Drive East
Englewood, CO 80112
Phone: (303) 790-1444
Fax: (303) 790-7104
www.isecinc.com

Northern California Region
41734 Christy Street
Fremont, CA 94538
Phone: (510) 490-1333
Fax: (510) 656-8764
Contact: Debbie Silva

Project Name
UC Santa Cruz

Project Location
Santa Cruz, Ca. 95064

Project Number 115733	Drawing Title Floor Plan For Area 206 & 207 & 208				
Project Phase Number Phase 2 & 3	Drawn By 10/05/07	QC By ---	Last Revised By ---	Drawing Set Date ---	Drawing Number CP.02



01 ELEVATION & PLAN
CP.02 Quantity: 01
 Room Name: BME LAB#3
 Room Number: 206
 Section: S1
 Ref. Arch. Elev.:



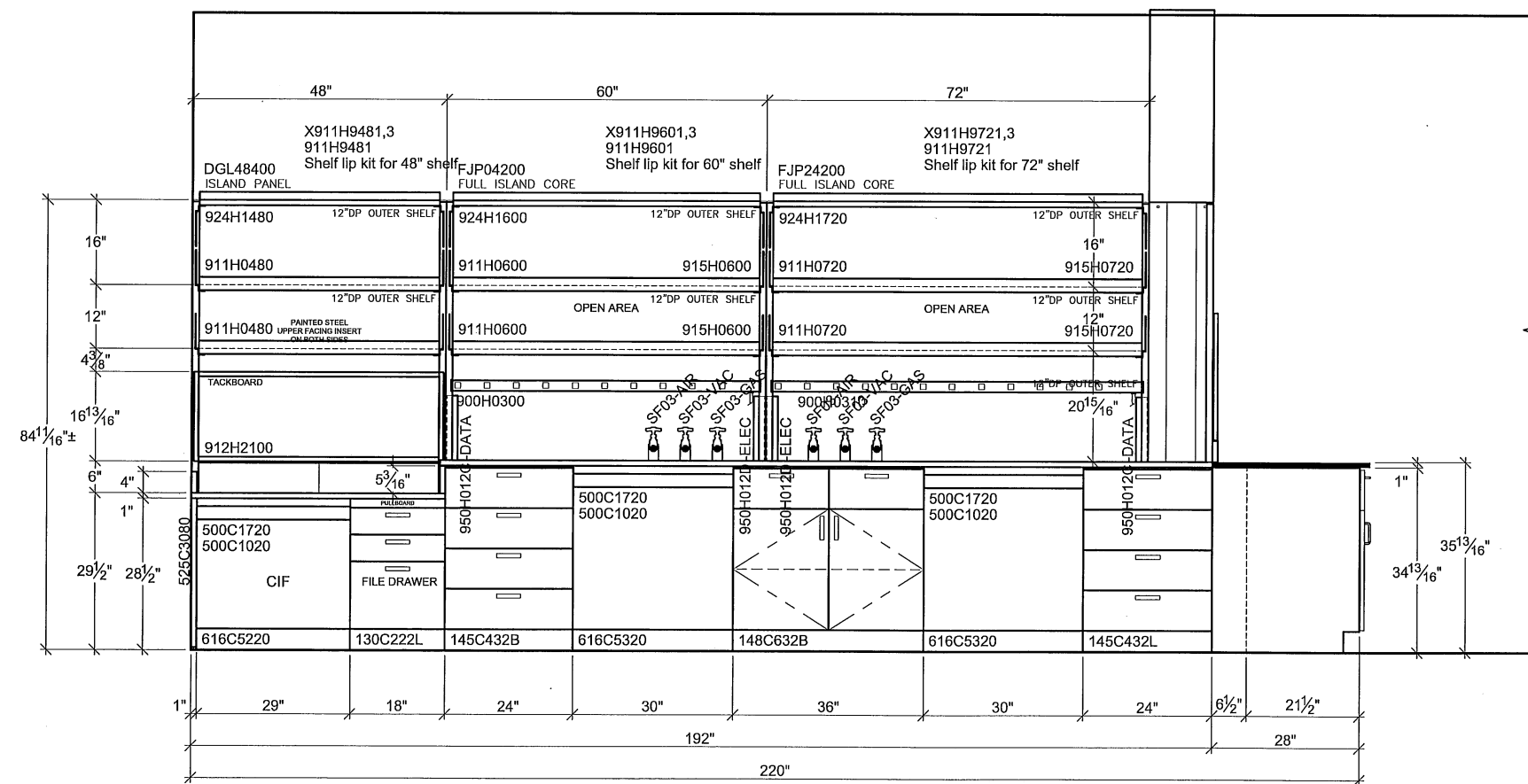
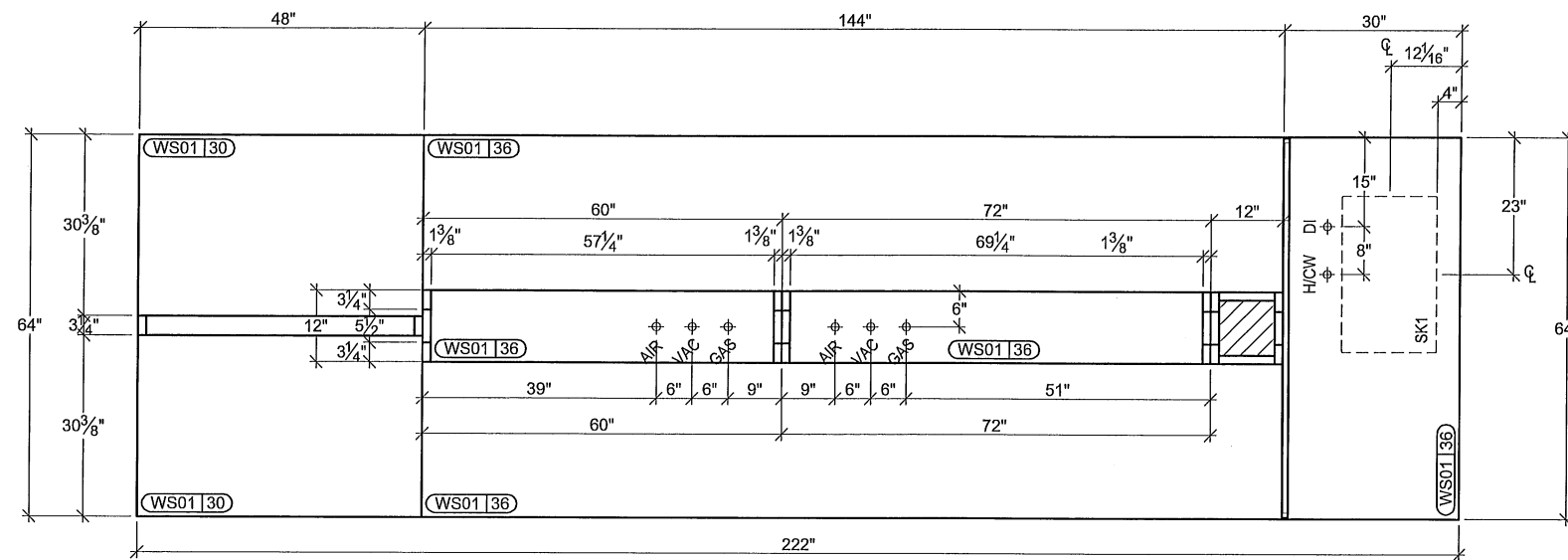
ISEC Corporate Office
 33 Inverness Drive East
 Englewood, CO 80112
 Phone: (303) 790-1444
 Fax: (303) 790-7104
 www.isecinc.com

Northern California Region
 41734 Christy Street
 Fremont, CA 94538
 Phone: (510) 490-1333
 Fax: (510) 656-8764
 Contact: Debbie Silva

Project Name
UC Santa Cruz

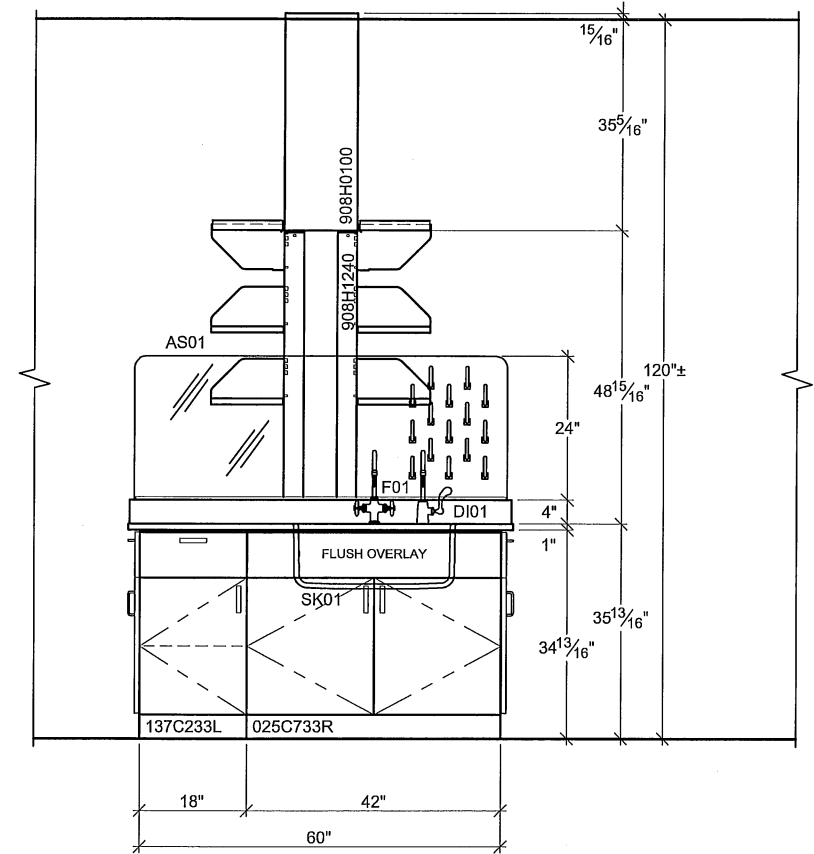
Project Location
Santa Cruz, Ca. 95064

Project Number 115733	Drawing Title Elevation(s) 01 For Room 206				
Project Phase Number Phase 2 & 3	Drawn By 10/05/07	QC By ---	Last Revised By ---	Drawing Set Date ----	Drawing Number CE.01



02A ELEVATION & PLAN

CP.02 Quantity: 01
 Room Name: BME LAB#3
 Room Number: 206
 Section: S1
 Ref. Arch. Elev.:



02B ELEVATION & PLAN

CP.02 Quantity: 01
 Room Name: BME LAB#3
 Room Number: 206
 Section: S1
 Ref. Arch. Elev.:

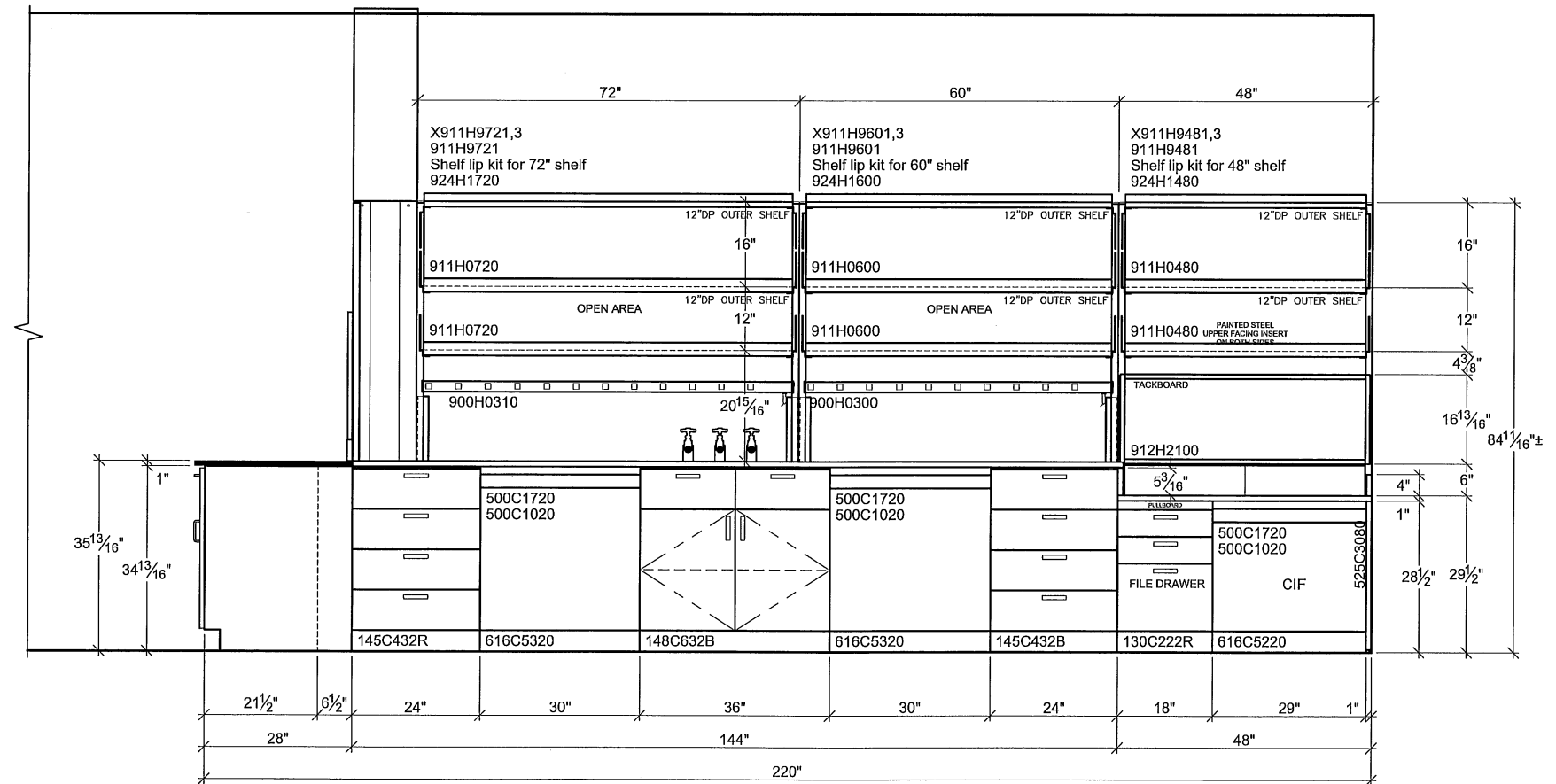


ISEC Corporate Office
 33 Inverness Drive East
 Englewood, CO 80112
 Phone: (303) 790-1444
 Fax: (303) 790-7104
 www.isecinc.com

Northern California Region
 41734 Christy Street
 Fremont, CA 94538
 Phone: (510) 490-1333
 Fax: (510) 656-8764
 Contact: Debbie Silva

Project Name
UC Santa Cruz
 Project Location
Santa Cruz, Ca. 95064

Project Number 115733	Drawing Title Elevation(s) 02A & 02B For Room 206			
Project Phase Number Phase 2 & 3	Drawn By ----	QC By ----	Last Revised By ----	Drawing Set Date ----
	10/05/07			
			0	
				Drawing Number CE.02



02C ELEVATION & PLAN

CP.02
 Quantity: 01
 Room Name: BME LAB#3
 Room Number: 206
 Section: S1
 Ref. Arch. Elev.:



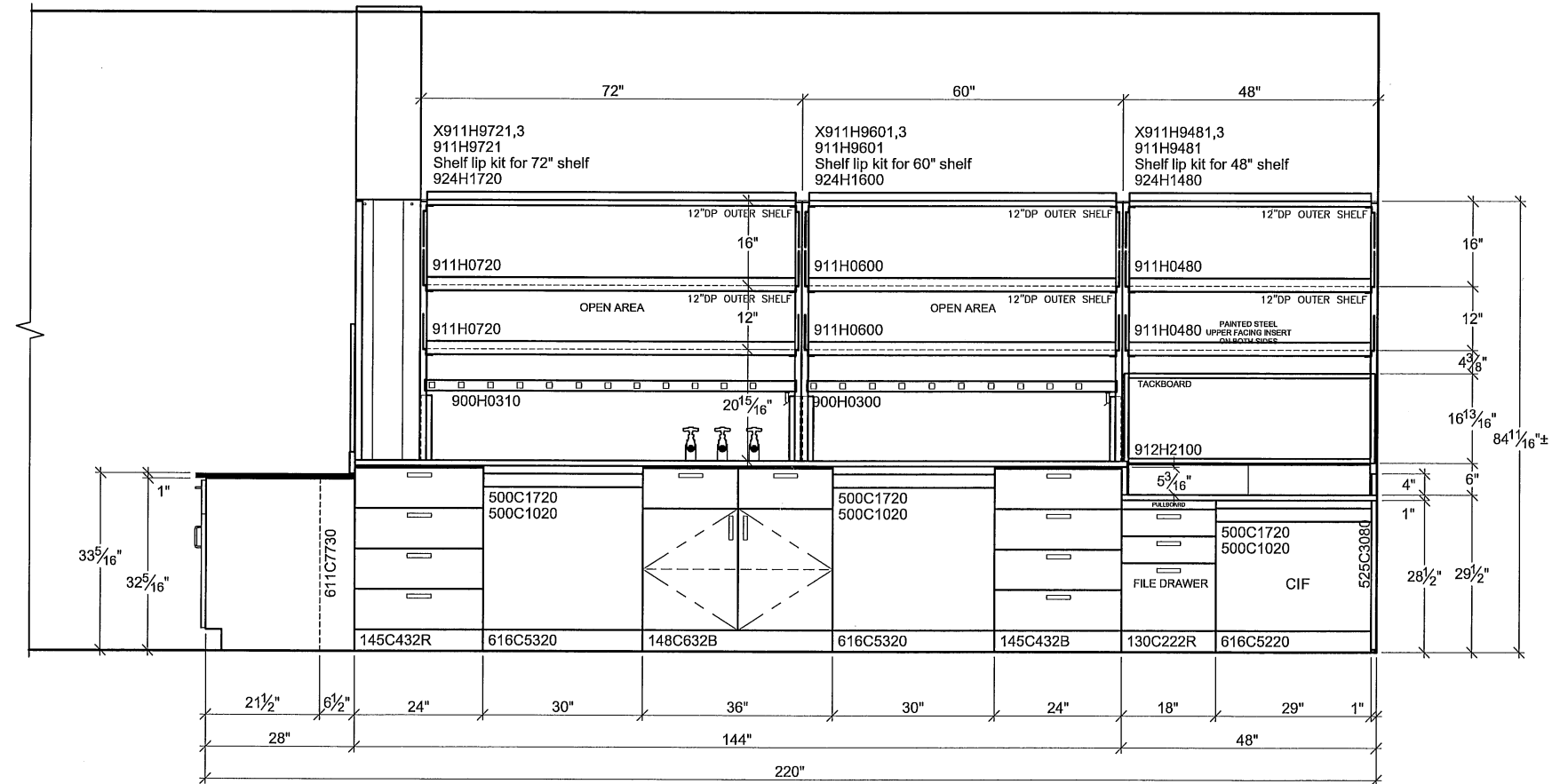
Isec Corporate Office
 33 Inverness Drive East
 Englewood, CO 80112
 Phone: (303) 790-1444
 Fax: (303) 790-7104
 www.isecinc.com

Northern California Region
 41734 Christy Street
 Fremont, CA 94538
 Phone: (510) 490-1333
 Fax: (510) 656-8764
 Contact: Debbie Silva

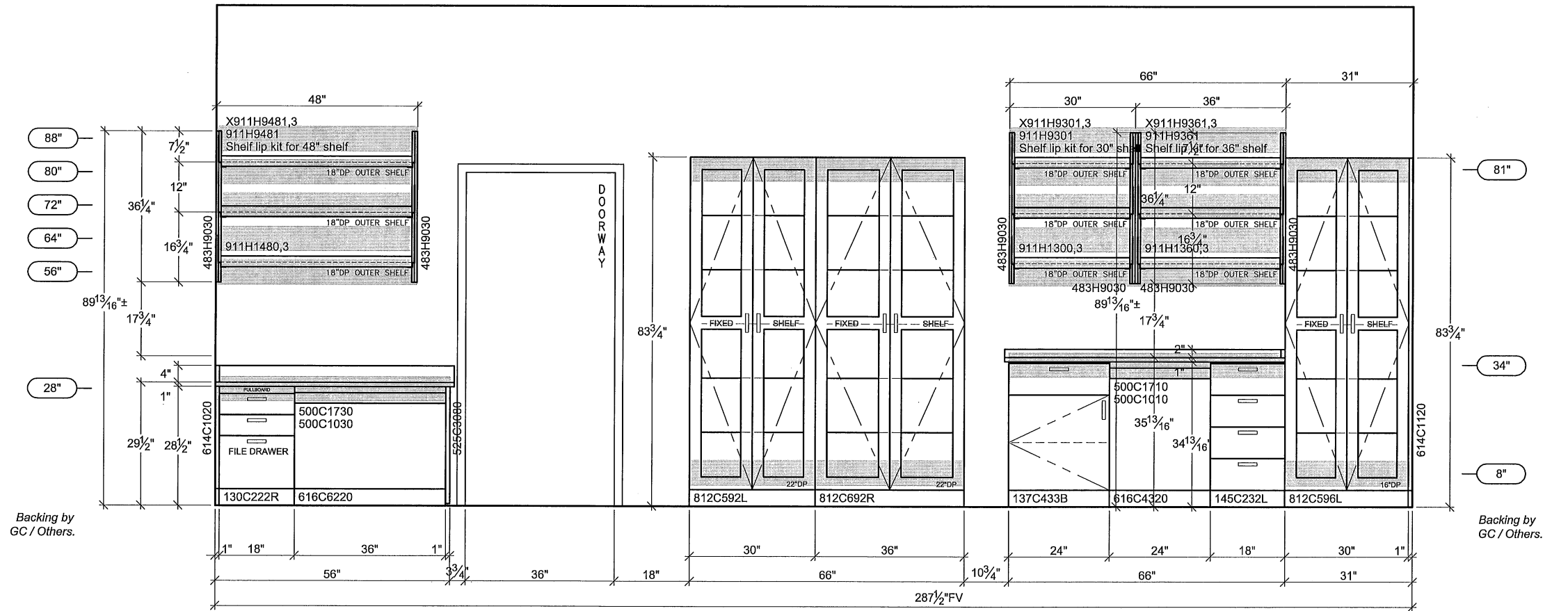
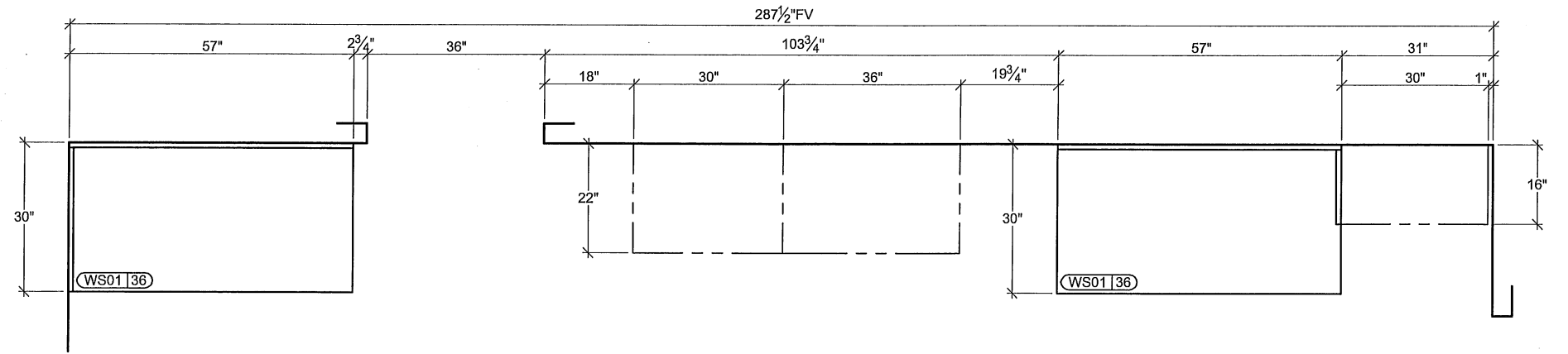
Project Name
UC Santa Cruz

Project Location
Santa Cruz, Ca. 95064

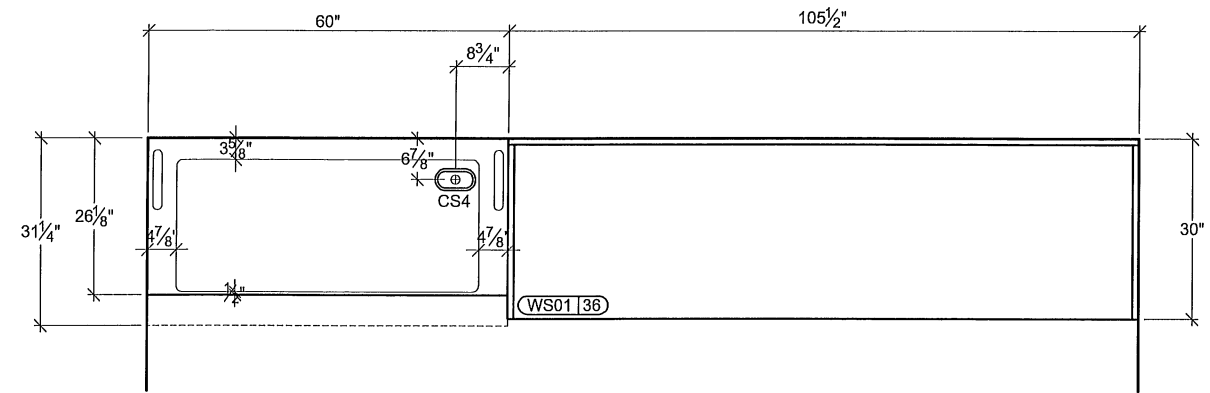
Project Number 115733		Drawing Title Elevation(s) 02C For Room 206				
Project Phase Number Phase 2 & 3	Drawn By ----	QC By ----	Last Revised By ----	Drawing Set Date ----	Drawing Number CE.03	



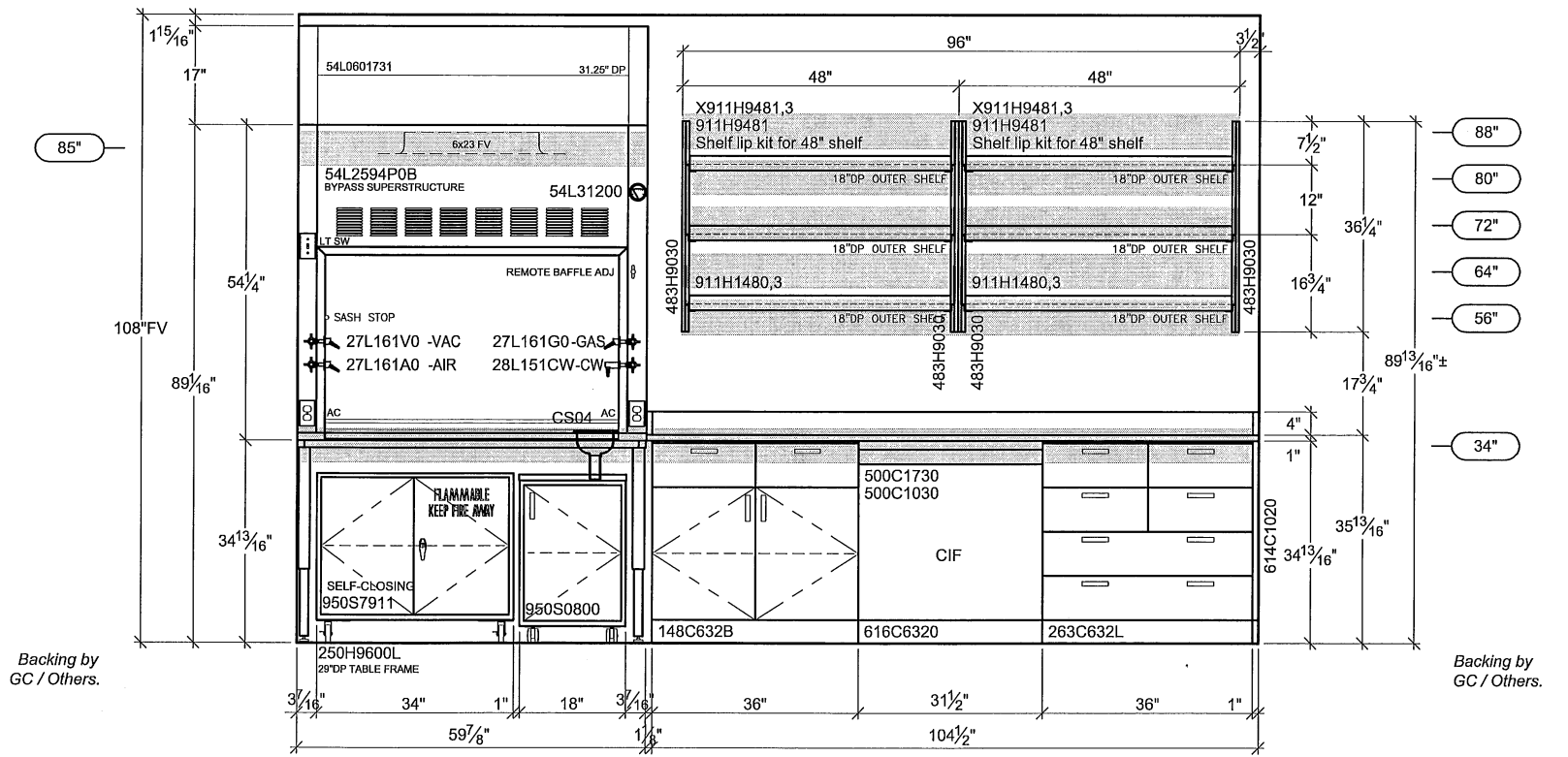
03C ELEVATION & PLAN
 CP.02 Quantity: 01
 Room Name: BME LAB#3
 Room Number: 206
 Section: S1
 Ref. Arch. Elev.:



04 ELEVATION & PLAN
 CP.02 Quantity: 01
 Room Name: BME LAB#3
 Room Number: 206
 Section: S1
 Ref. Arch. Elev.:



NOTE:
-DETAILS OF THE CUPSINK ENCLOSURE
TO BE FINALIZED LATER.....



05 ELEVATION & PLAN

CP.02 Quantity: 01
Room Name: BME LAB#3
Room Number: 206
Section: S1
Ref. Arch. Elev.:

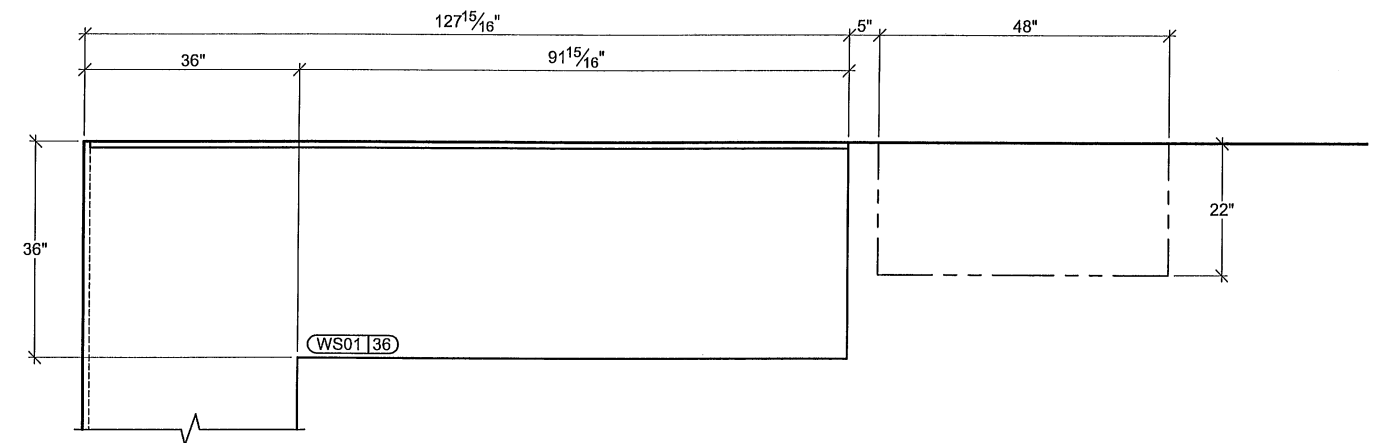
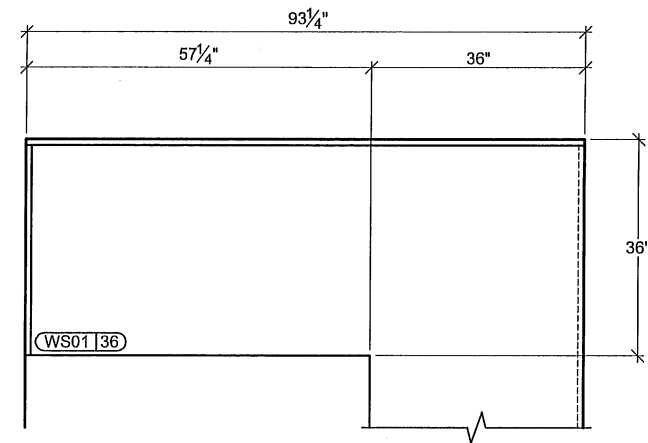


ISEC Corporate Office
33 Inverness Drive East
Englewood, CO 80112
Phone: (303) 790-1444
Fax: (303) 790-7104
www.isecinc.com

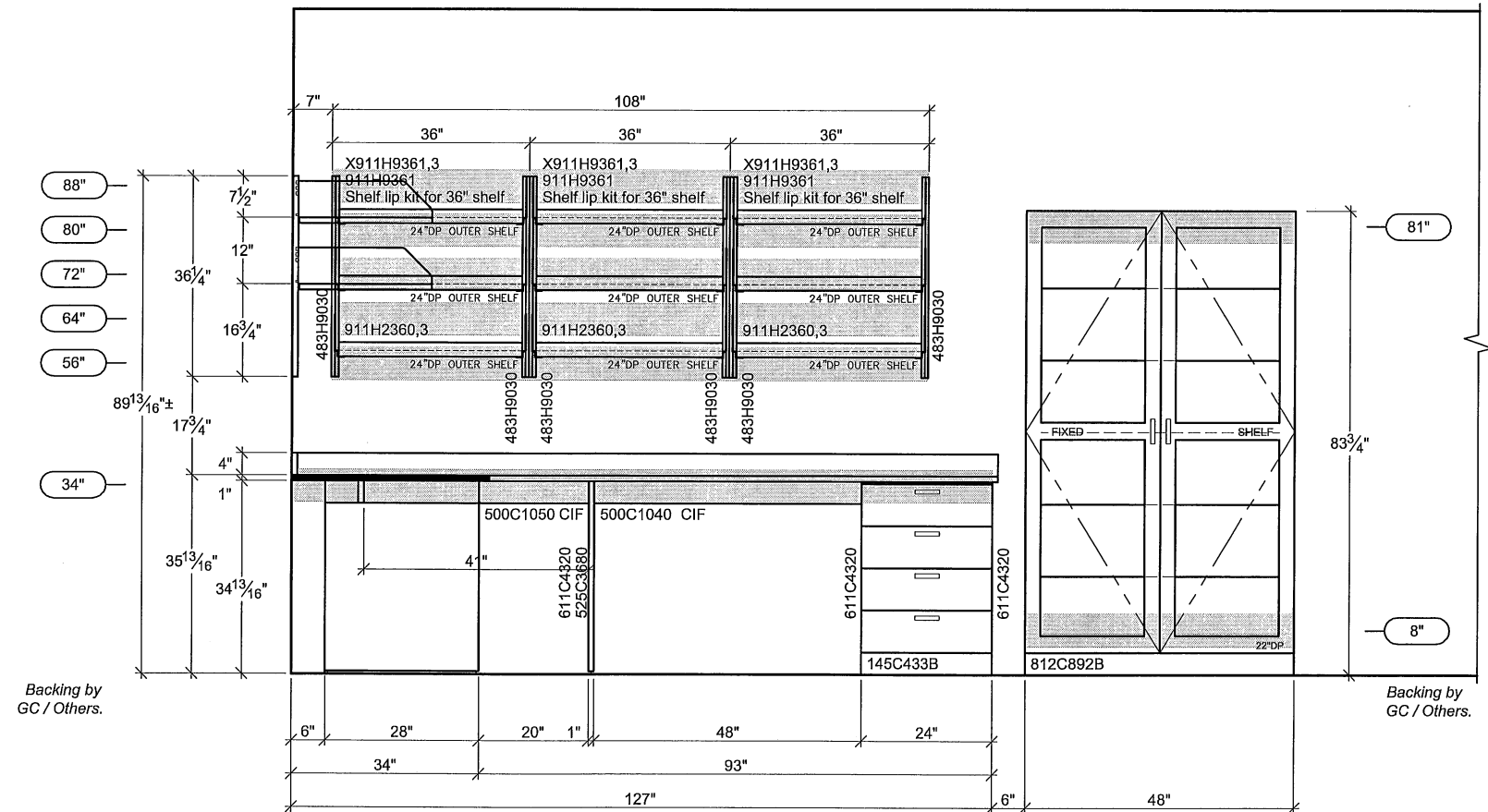
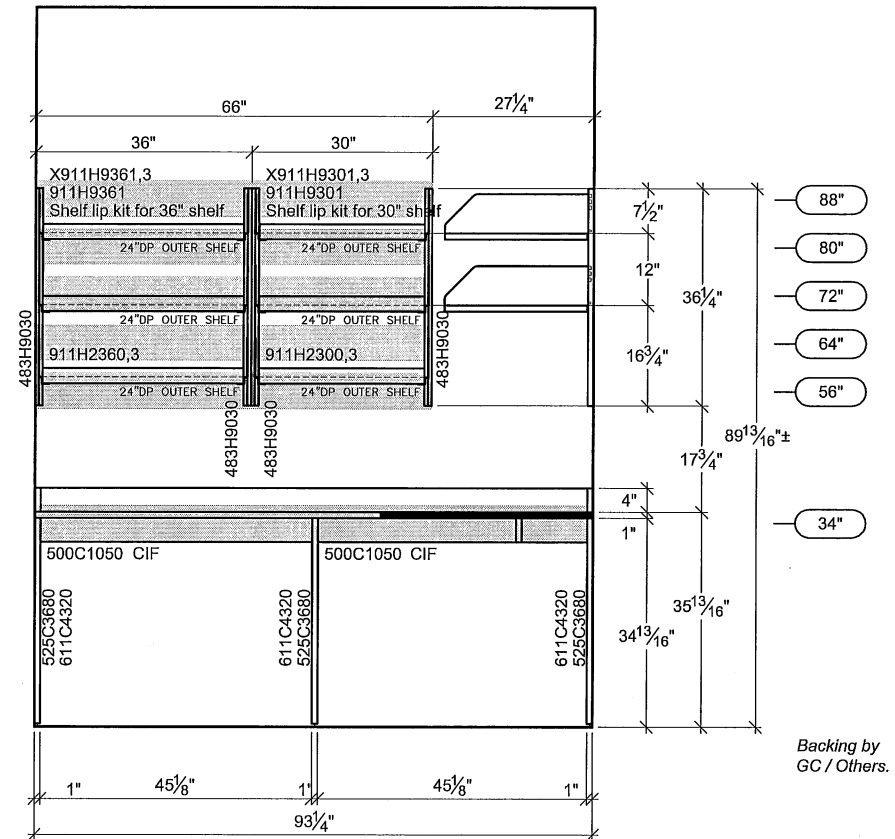
Northern California Region
41734 Christy Street
Fremont, CA 94538
Phone: (510) 490-1333
Fax: (510) 656-8764
Contact: Debbie Silva

Project Name
UC Santa Cruz
Project Location
Santa Cruz, Ca. 95064

Project Number 115733	Drawing Title Elevation(s) 05 For Room 206				
Project Phase Number Phase 2 & 3	Drawn By ----	QC By ----	Last Revised By ----	Drawing Set Date ----	Drawing Number CE.07

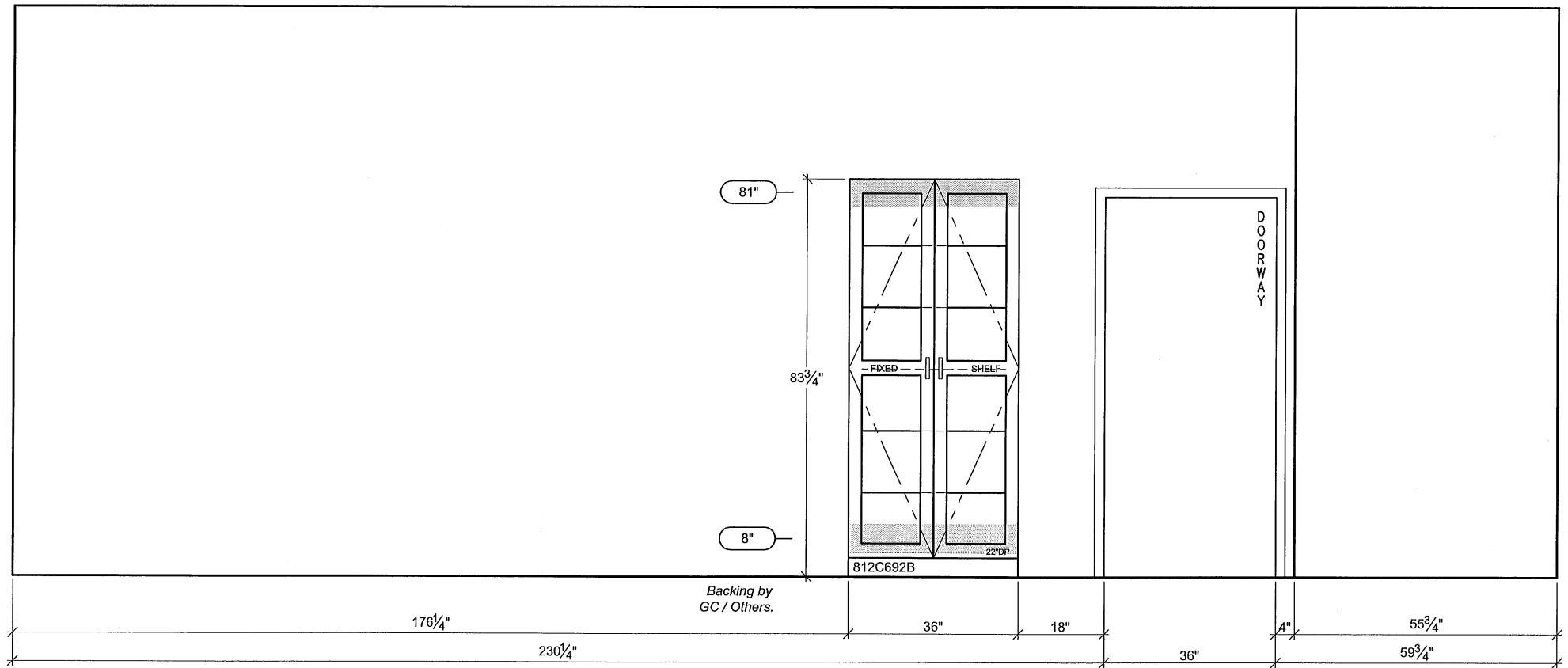
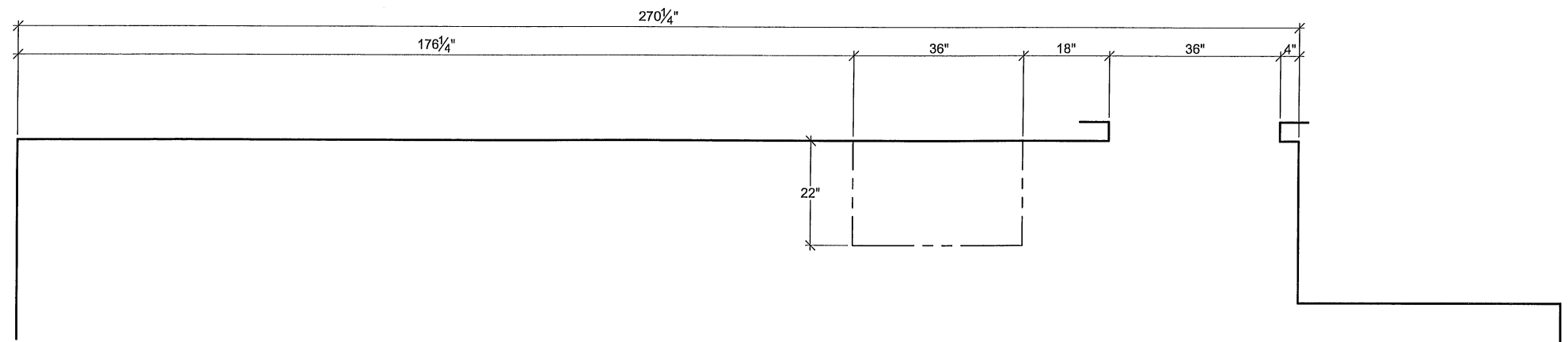


ARCHITECT NOTE:
-CONFIRM THE LOCATION OF THE REFRIGERATOR



06A ELEVATION & PLAN
CP.02
Quantity: 01
Room Name: TISSUE CULTURE
Room Number: 208
Section: S1
Ref. Arch. Elev.:

06B ELEVATION & PLAN
CP.02
Quantity: 01
Room Name: TISSUE CULTURE
Room Number: 208
Section: S1
Ref. Arch. Elev.:



07 ELEVATION & PLAN
 CP.02 Quantity: 01
 Room Name: TISSUE CULTURE
 Room Number: 208
 Section: S1
 Ref. Arch. Elev.:

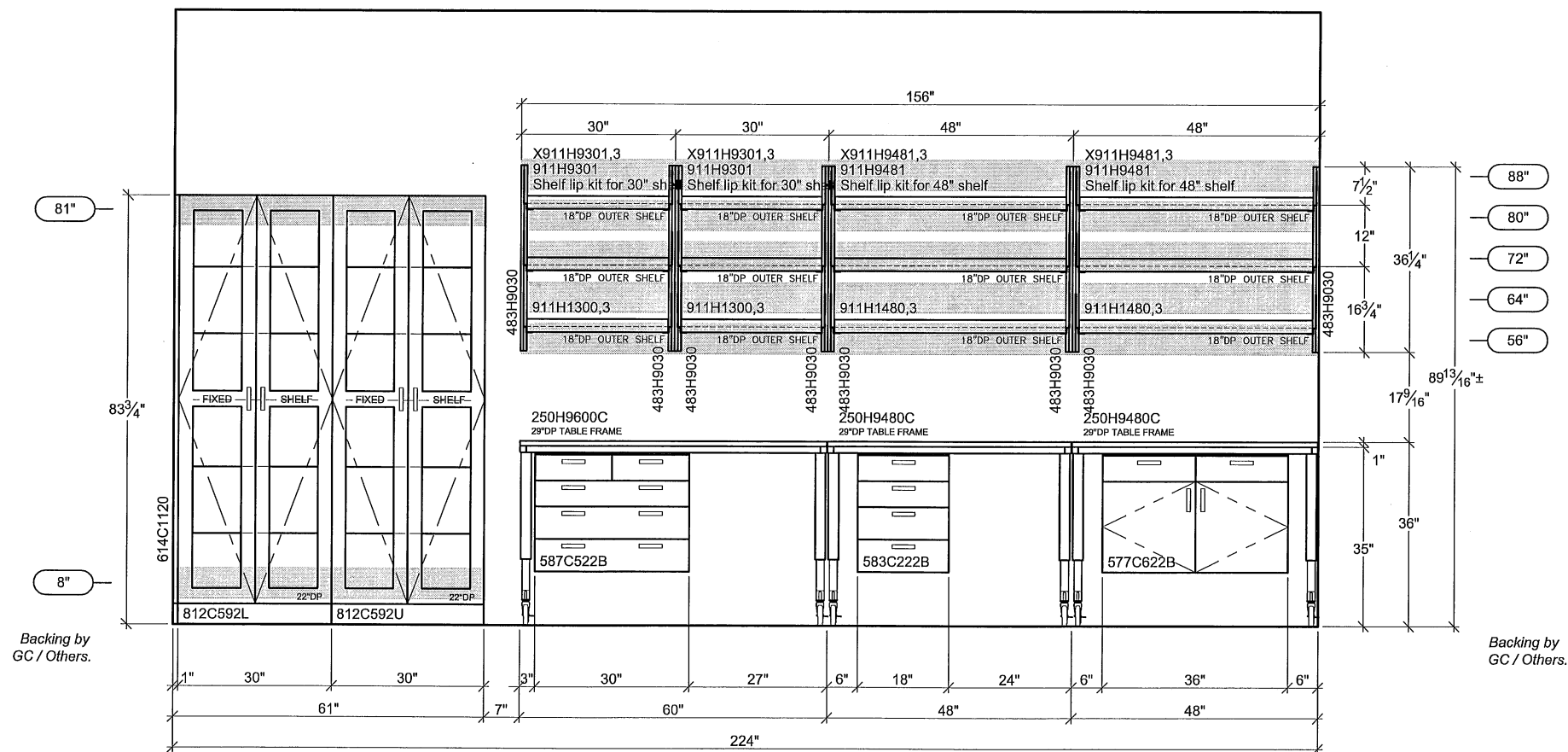
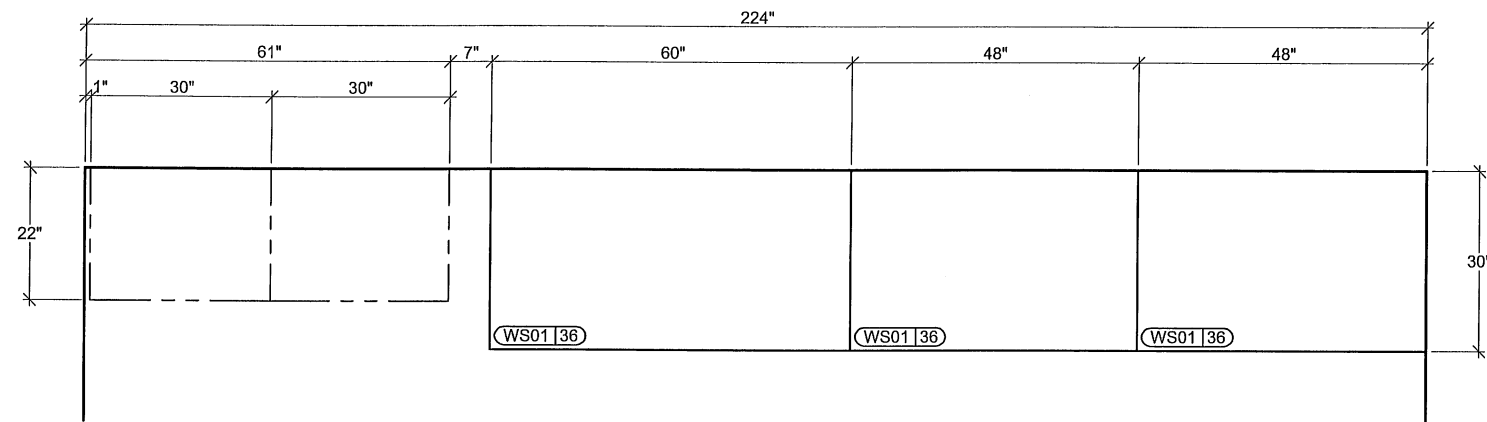


Isec Corporate Office
 33 Inverness Drive East
 Englewood, CO 80112
 Phone: (303) 790-1444
 Fax: (303) 790-7104
 www.isecinc.com

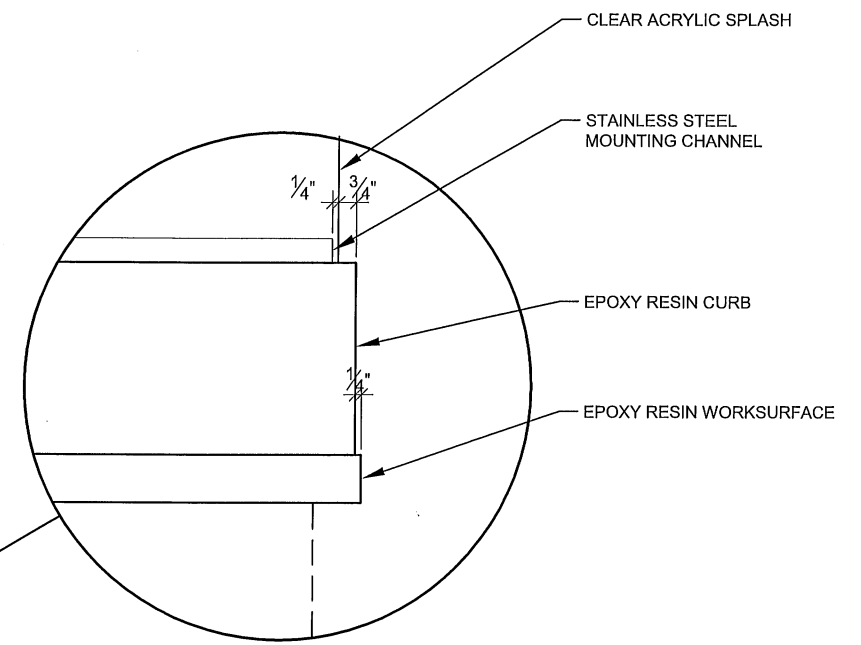
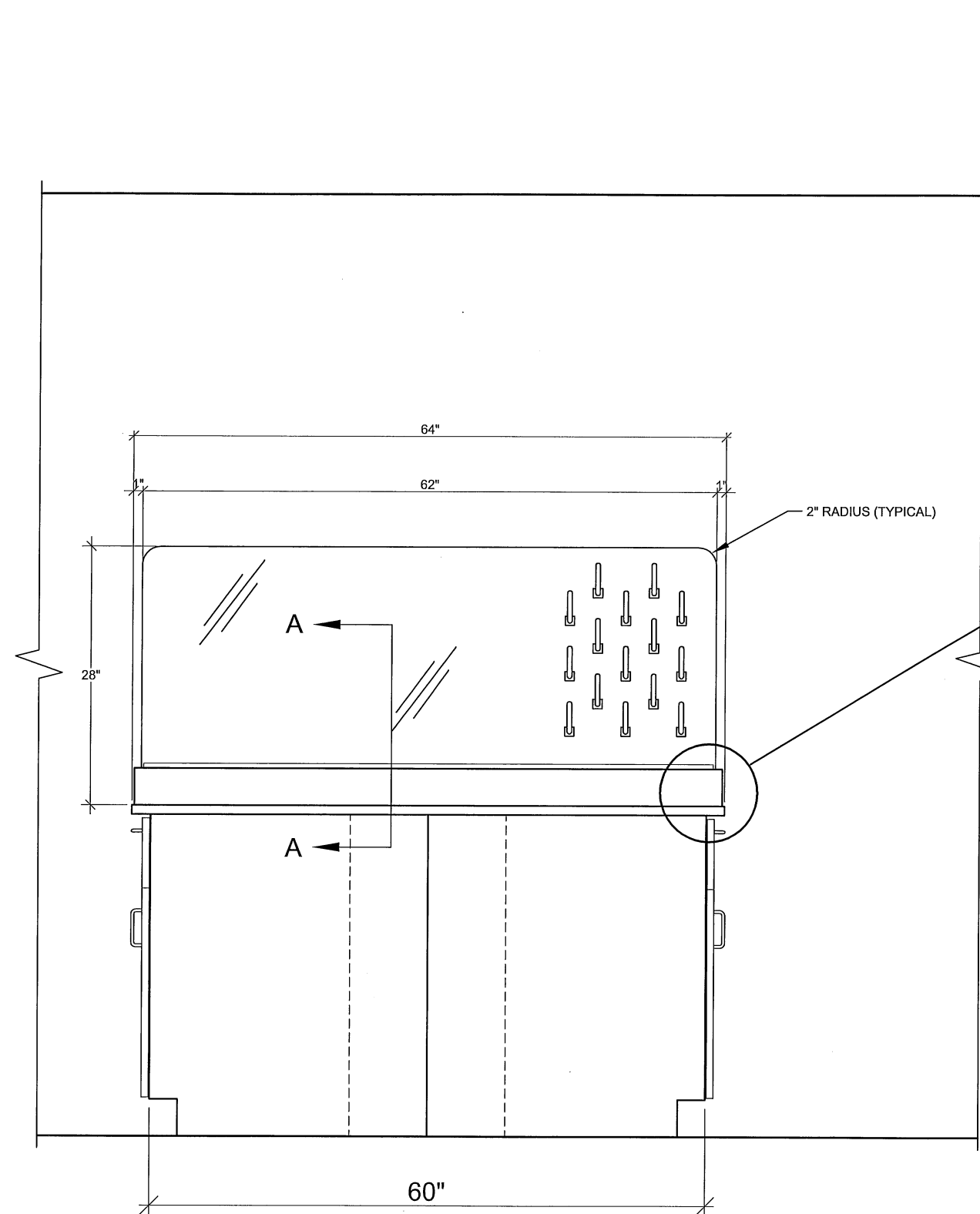
Northern California Region
 41734 Christy Street
 Fremont, CA 94538
 Phone: (510) 490-1333
 Fax: (510) 856-8764
 Contact: Debbie Silva

Project Name
UC Santa Cruz
Project Location
Santa Cruz, Ca. 95064

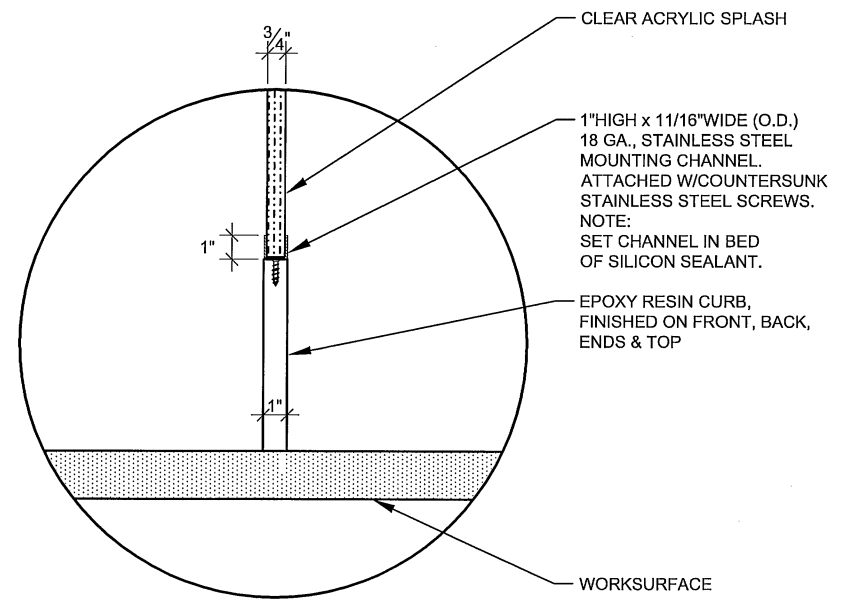
Project Number 115733	Drawing Title Elevation(s) 07 For Room 208				
Project Phase Number Phase 2 & 3	Drawn By ----	QC By ----	Last Revised By ----	Drawing Set Date ----	Drawing Number CE.09



08 ELEVATION & PLAN
 CP.02 Quantity: 01
 Room Name: AUTOMATION
 Room Number: 207
 Section: S1
 Ref. Arch. Elev.:



DETAIL OF CURB LOCATION



ACRYLIC SPLASH SECTION AA

02 CONSTRUCTION DETAIL FOR:
 CD.02 CLEAR ACRYLIC SPLASH
 AS01



ISEC Corporate Office
 33 Inverness Drive East
 Englewood, CO 80112
 Phone: (303) 790-1444
 Fax: (303) 790-7104
 www.isecinc.com

Northern California Region
 41734 Christy Street
 Fremont, CA 94538
 Phone: (510) 490-1333
 Fax: (510) 656-8764
 Contact: Debbie Silva

Project Name
UC Santa Cruz
 Project Location
Santa Cruz, Ca. 95064

Project Number 115733	Drawing Title Details For Acrylic Splash				
Project Phase Number Phase 2 & 3	Drawn By 10/05/07	QC By ---	Last Revised By ---	Drawing Set Date ----	Drawing Number CD.01